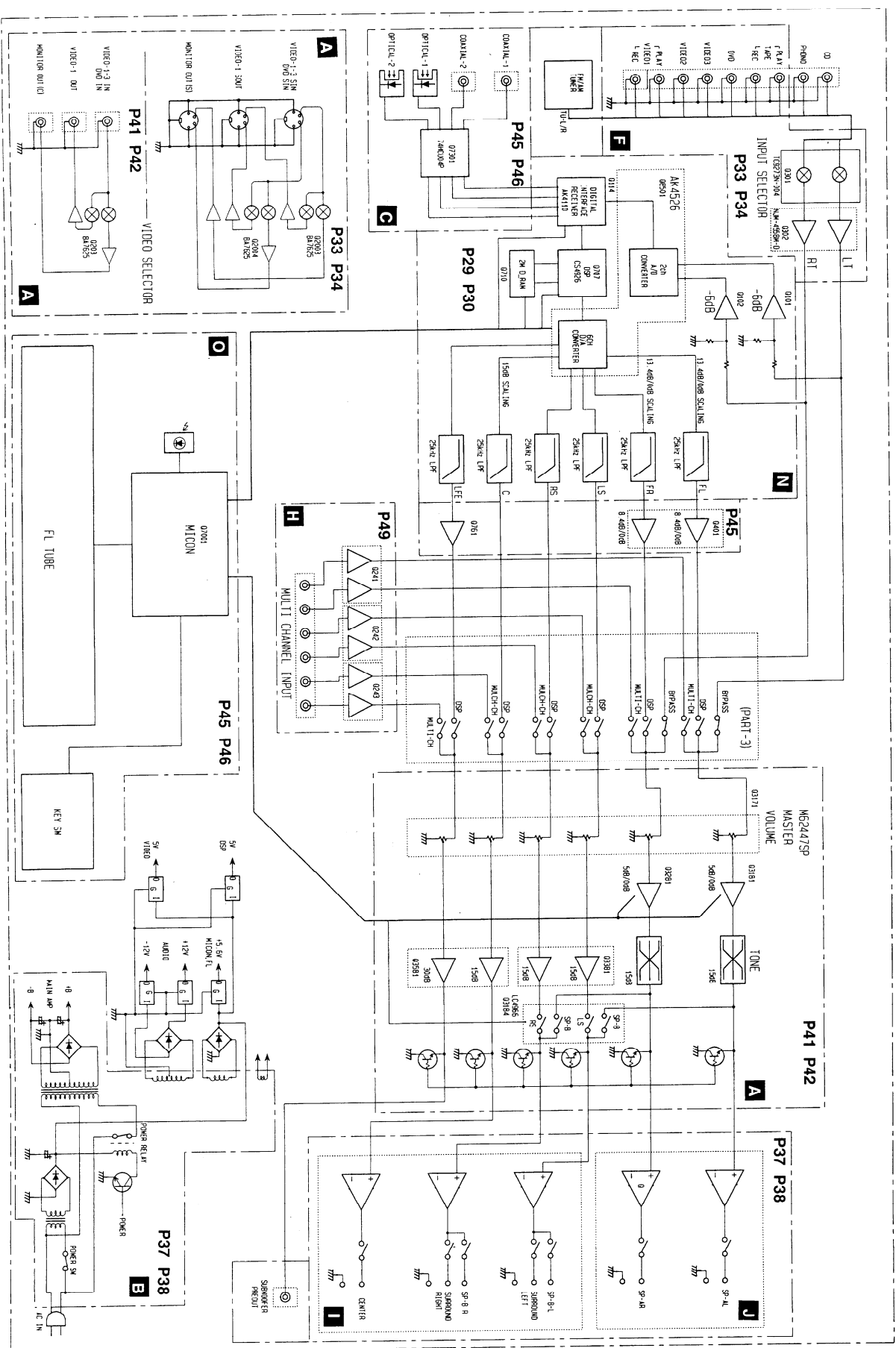


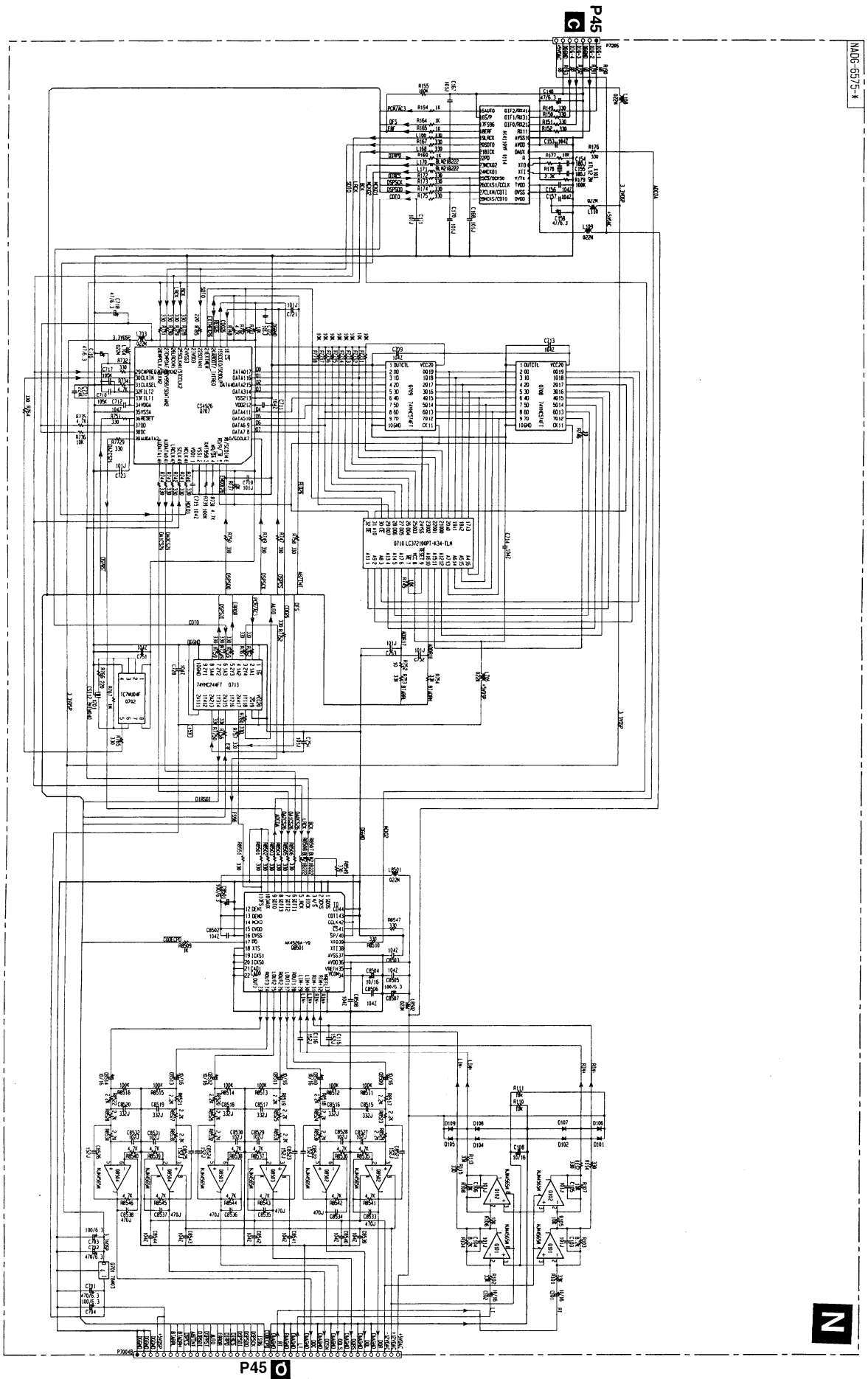
BLOCK DIAGRAM

A B C D E F G



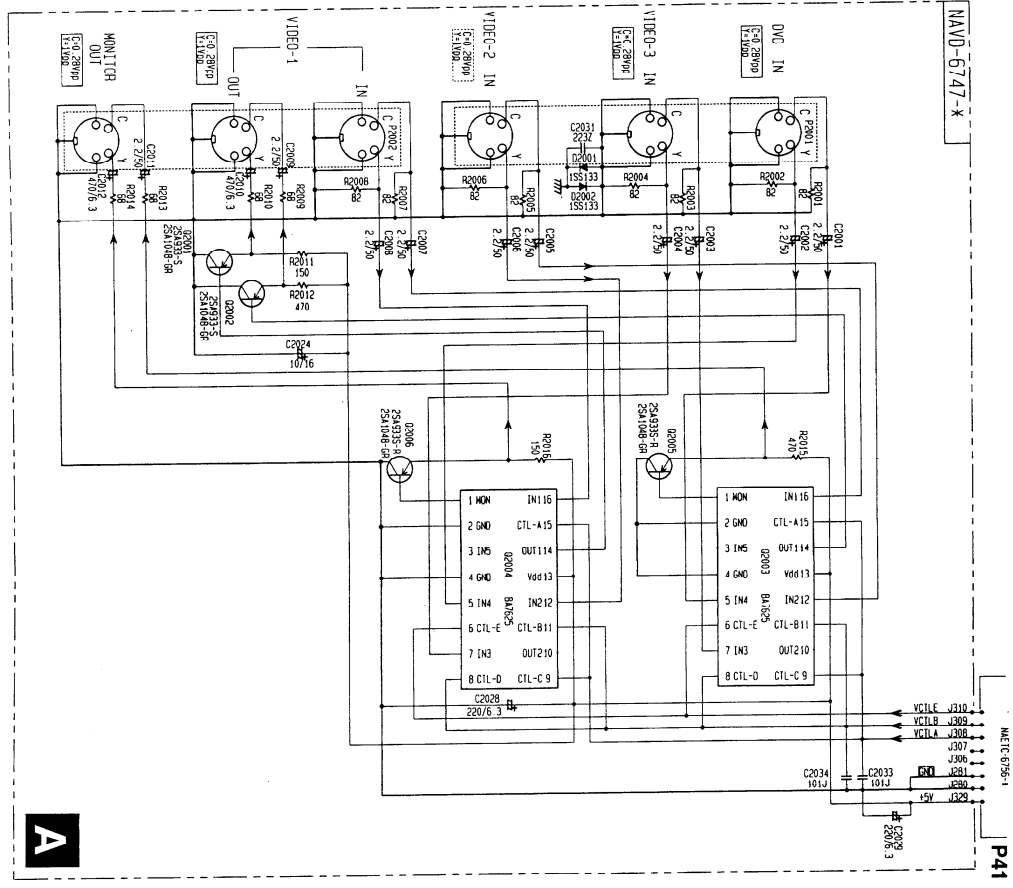
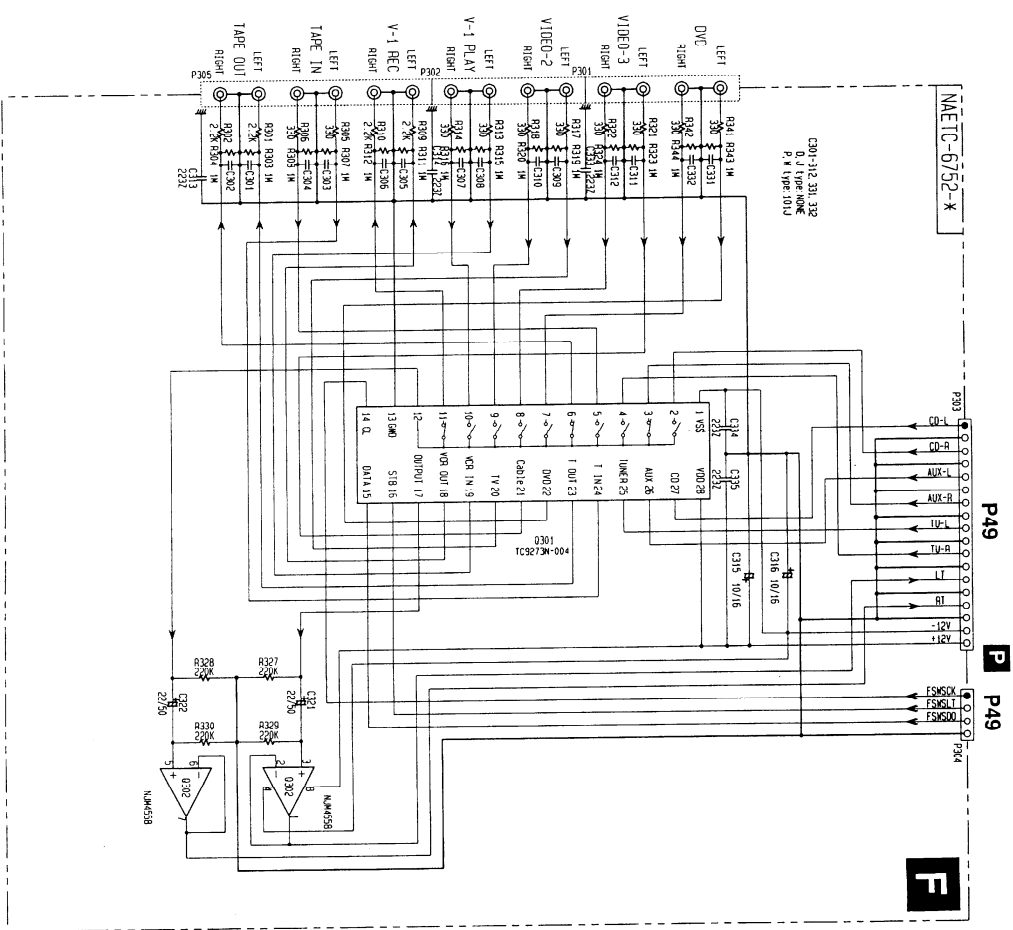
SCHEMATIC DIAGRAM 1

TX-DSS75X TX-DSS75X

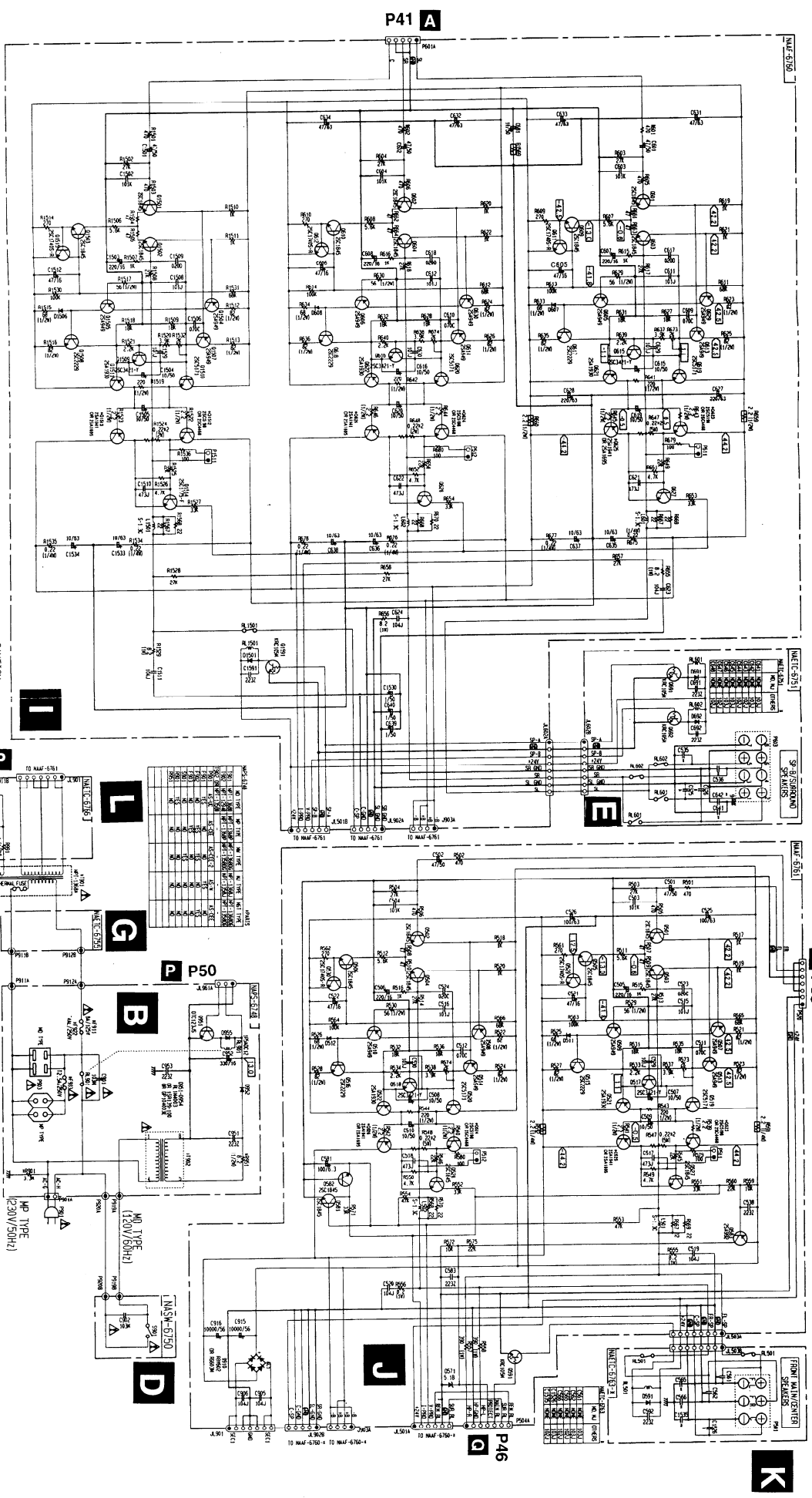


A B C D E F G

SCHEMATIC DIAGRAM 2



SCHEMATIC DIAGRAM 3



CAUTION
 ADJUSTING POINTS ARE NOT TO BE ADJUSTED UNLESS SPECIFICALLY INDICATED IN THE SERVICE MANUAL.

ATTENTION
 THE SCHEMATIC SYMBOLS FOR THE TRANSISTORS AND DIODES ARE IDENTICAL TO THOSE USED IN THE SERVICE MANUAL. THE SYMBOLS FOR THE TRANSISTORS AND DIODES ARE IDENTICAL TO THOSE USED IN THE SERVICE MANUAL.

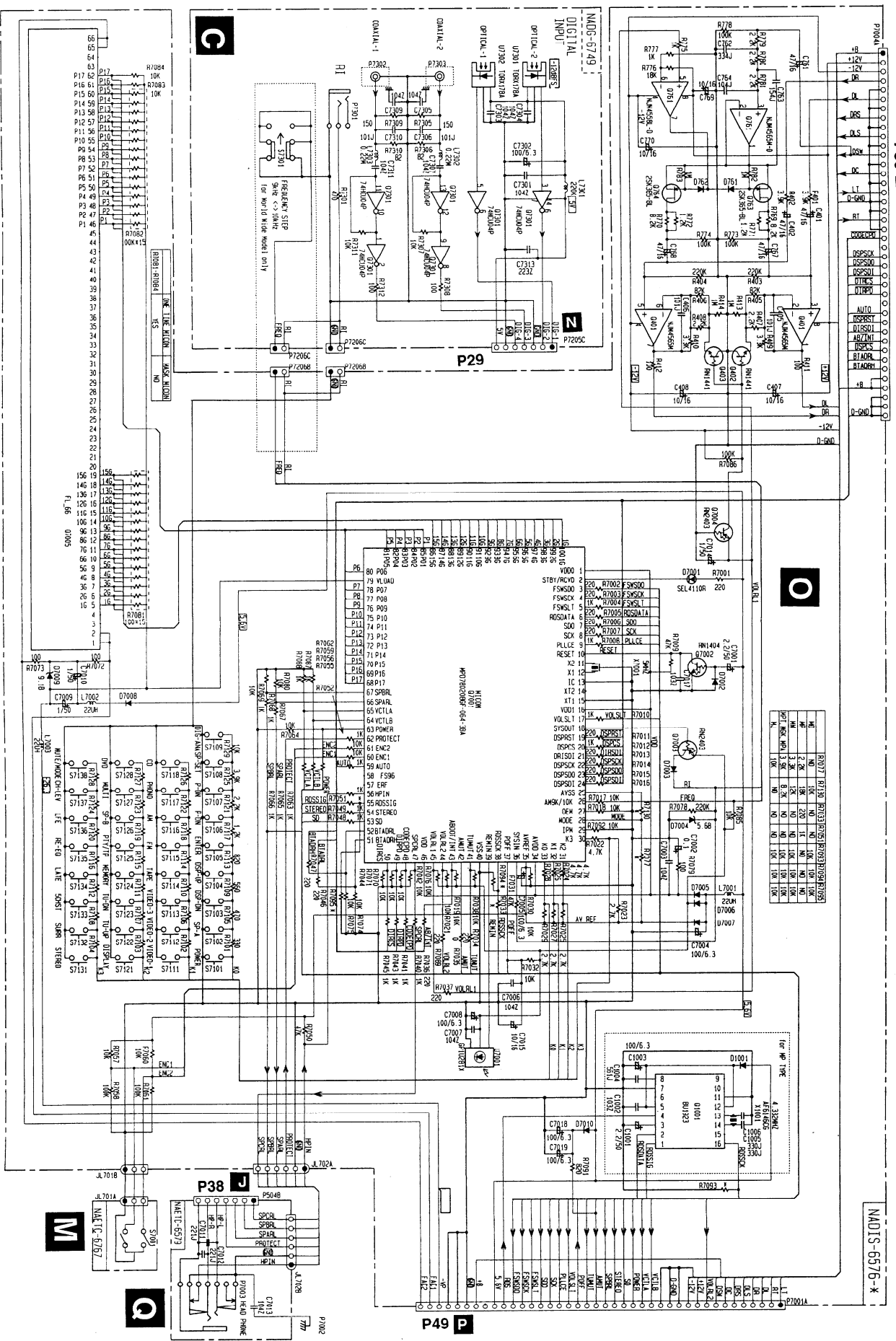
NOTE
 THE SCHEMATIC SYMBOLS FOR THE TRANSISTORS AND DIODES ARE IDENTICAL TO THOSE USED IN THE SERVICE MANUAL. THE SYMBOLS FOR THE TRANSISTORS AND DIODES ARE IDENTICAL TO THOSE USED IN THE SERVICE MANUAL.

5 4 3 2 1

A B C D E F G

SCHEMATIC DIAGRAM 5

P30 N



SCHEMATIC DIAGRAM 6

